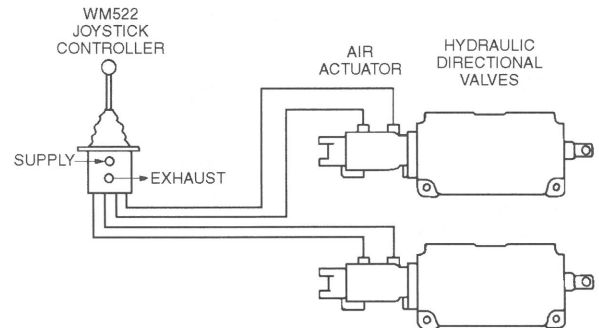


# WM522 Series Joystick Controller

**1/4" TUBE  
PUSH-TO-CONNECT FITTINGS**

## DESCRIPTION

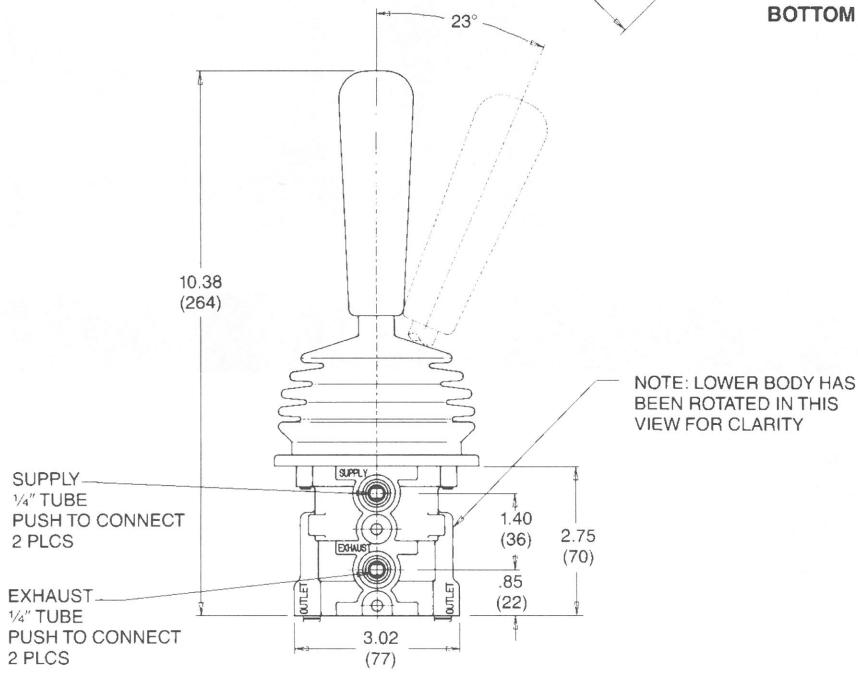
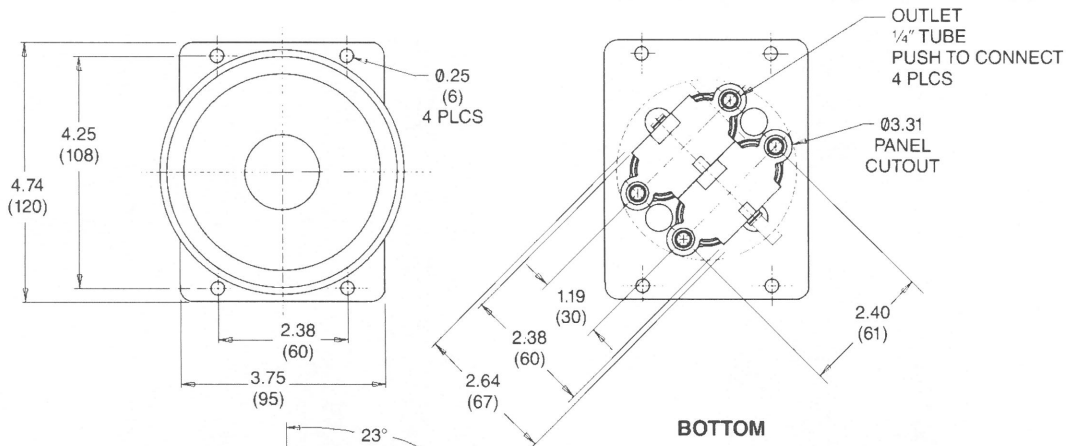
The WM522 series joystick is a pressure regulating controller with 1/4" tube push-to-connect fittings. The WM522D1 model has an electronic switch in the handle to control an additional function.



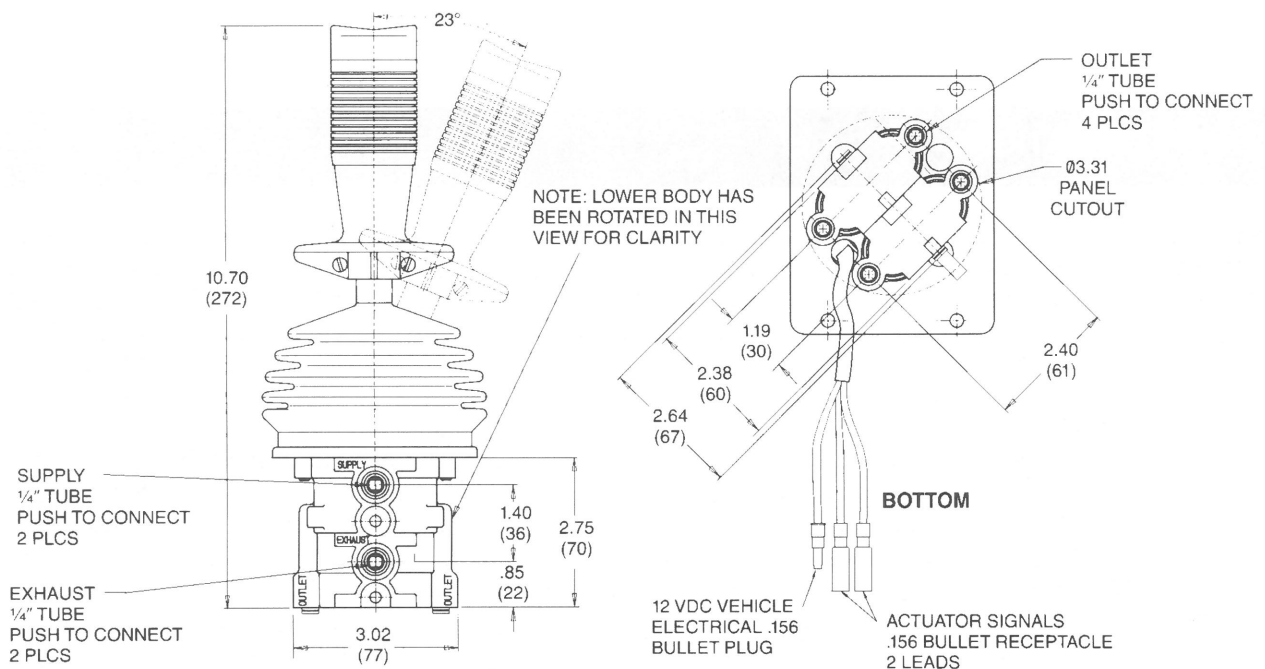
## SPECIFICATIONS

Port size.....	1/4" tube push-to-connect
Maximum supply pressure.....	150 PSI (1034 kPa)
Operating temperature.....	-20°F to 160°F (-29°C to 74°C)
Output range: Lever at 3°.....	20 PSI (138 kPa)
Lever at 23°.....	85 PSI (586 kPa)
Mounting.....	Panel mounted
Mounting attitude.....	Optional
Materials: Valve body.....	Chromate treated die cast aluminum
Lever.....	Stainless steel
Knob.....	Black plastic
Boot.....	Neoprene
O-Rings.....	Buna N
Weight.....	2 lbs., 11 oz (1,2 kg)

# DIMENSIONAL DATA

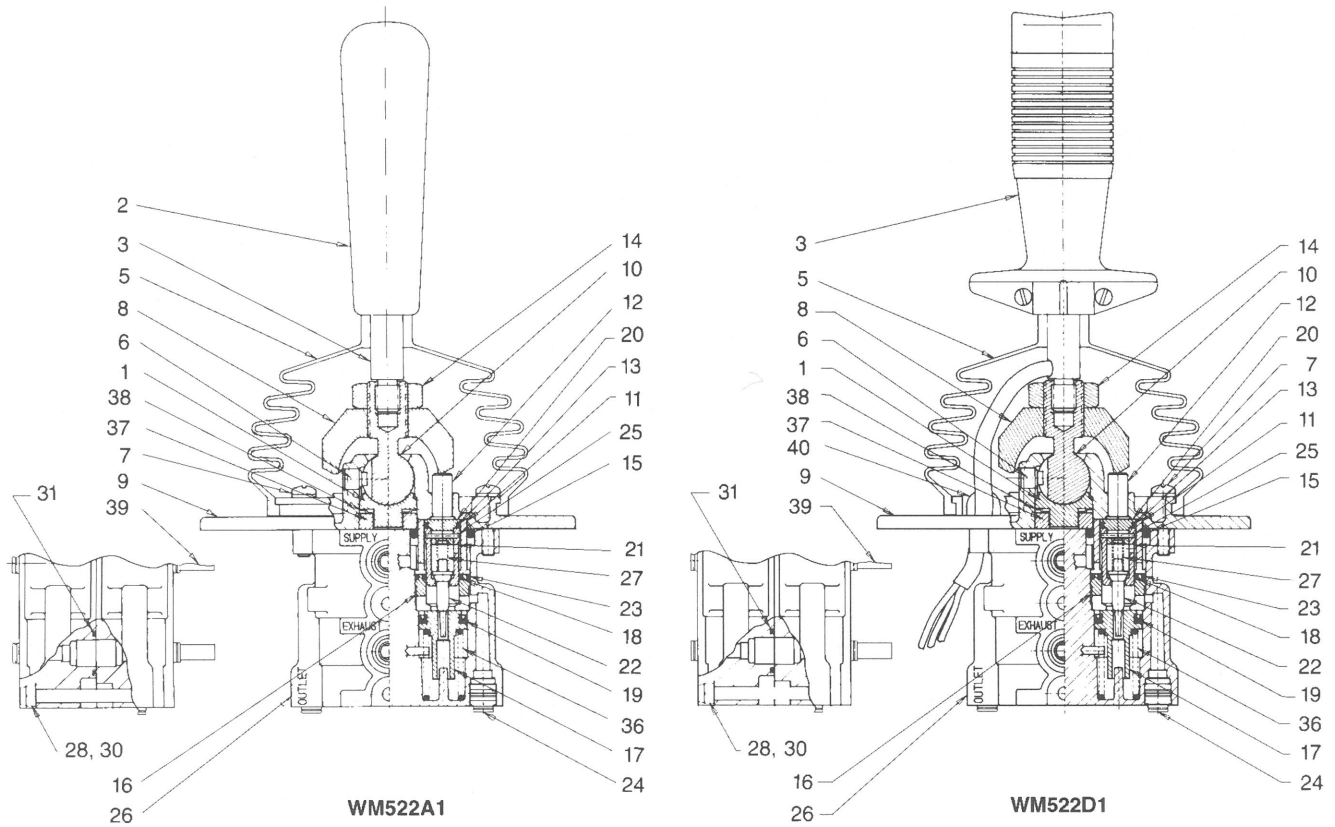


**WM522A1**



**WM522D1**

# CROSS SECTION & PARTS INFORMATION



Item	Description	WM522A1	WM522D1	Qty	Item	Description	WM522A1	WM522D1	Qty
1	Pillow Block	130503	130503	1	*18	O-Ring	116345	116345	4
2	Knob	130433	—	1	*19	U-Cup	116338	116338	4
3	Lever	130434	—	1	20	Cartridge Cap	130255	130255	4
3	Lever Assy w/switch	—	131845	1	21	Cartridge Body	130253	130253	4
5	Dust Boot	130494	130494	1	*22	Poppet	130151	130151	4
6	Screw	130200	130200	1	*23	O-Ring	117074	117074	4
7	Screw	130448	130448	4	24	Fitting	130436	130436	8
8	Lever Rocker	130435	130435	1	25	Pin	130368	130368	4
9	Lever Body	130376	130376	1	26	Body	130227	130227	2
10	Lever Ball End	130118	131847	1	*27	Spring	130369	130369	4
11	Sleeve	130633	130633	4	28	Nut	114564	114564	4
12	Stem	130256	130256	4	30	Tie Rod	130382	130382	2
*13	O-Ring	116344	116344	4	31	O-Ring	116380	116380	2
14	Jam Nut	130109	130109	1	36	Spring	130374	130374	4
*15	O-Ring	116318	116318	4	37	Pillow Block Support	130504	130504	1
16	Barrier Sleeve	130249	130249	4	38	Spring	130507	130507	1
17	Piston	130250	130250	4	39	Plug	130522	130522	2
					40	Strain Relief	—	130652	1

\*Item is included in repair kit. Service these units with repair kit 130463.  
 Two kits are required for servicing.  
 Highlighted items may be purchased separately.

## ORDERING INFORMATION

To order, specify **WM522** \_\_\_\_\_(suffix) \_\_\_\_\_(part number). Select suffix and part number below.

Suffix	Part Number	Description
WM522 A1	130386	Joystick Controller
WM522 D1	131860	Joystick Controller with electric switch in lever