



UCM UNIVERSAL SIGNAL CONDITIONING MODULE

INNOVATION IN MOTION

The new Penny+Giles model UCM is a low powered Universal Conditioning Module designed to operate with a wide range of LVDTs, RVDTs and other analogue inductive transducer types. The set-up is simple and flexible, allowing user adjustment of excitation voltage and frequency, operating mode, span output and zero position, as well as configuration for multiple unit synchronisation.

Choice of outputs

The UCM has a low current requirement of less than 10mA and can be synchronised with up to 50 modules in one network for multiple channel measurement systems. The UCM provides a simple 0.5 to 4.5Vdc analogue signal output. By using additional plug-in module cards, a variety of different voltage ranges, a current output or a digital PWM output can be obtained. The module normally operates from an unregulated 10 - 30Vdc supply.

Rugged protection in hostile conditions

The UCM module is housed in a rugged die-cast aluminium alloy housing, suitable for harsh environmental conditions and electrically noisy installations, with EMC Immunity to 100V/m. The housing features an impressive environmental performance, with dust and fluid protection to IP68 and submersion to 2m.

Simple installation

The UCM housing is designed to be mounted on a bulkhead close to the transducer, by using M5 screws through the mounting holes that are located under the housing lid. The supply, output and transducer connections are routed through two IP68 rated cable glands that can accommodate cable diameters of between 3 and 8mm. Connections are made to screw terminal blocks on the UCM board.



EMC Directive 2004/108/EC

The product detailed in this document has been tested to the requirements of EN 61000-4-2 (Immunity).



Quality Assurance

Penny+Giles are accredited to BS EN ISO9001:2000 Quality is at the heart of all our systems, ensuring the reliability of our products from initial design to final dispatch.

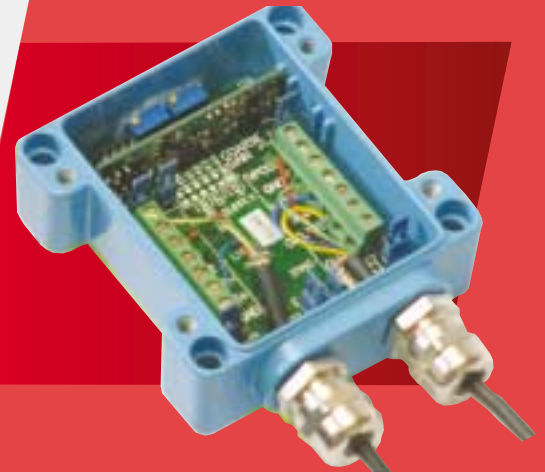
Certificate No. LRQ 0924881

ROHS Directive 2002/95/EC

The product detailed in this document complies with the ROHS (Restriction of use of certain Hazardous substances in Electrical and Electronic Equipment) directive 2002/95/EC

Performance assured

The Penny + Giles product development process includes exhaustive qualification testing to ensure that the performance specifications published in our product brochures and technical data sheets are backed by real-life test evidence. This is our assurance to you that our designs have been tested at these parameters. The specification data published for the UCM module is based on tests with a transducer that was fitted with a 0.5m length cable.



User adjustment

The UCM module has the following user-enabled features that allow flexible set-up to suit a variety of applications:

- Transducer excitation voltage – selected by jumper JP5
- Transducer excitation frequency – selected by jumper JP1
- Ratiometric or Differential mode – selected by jumper JP6
- Master/Slave synchronisation – selected by jumper JP2
- Extended voltage range – by using plug-in **VM** output option card
- Optional current output – by using plug-in **CM** output option card
- Optional PWM output – by using plug-in **PWM** output option card
- Zero and Gain adjustment to set-up transducer minimum and maximum outputs

UCM FOR INDUCTIVE TRANSDUCERS

PERFORMANCE ELECTRICAL

Power requirement

Supply voltage range	Vdc	10 to 30 unregulated (limited to 13.5 minimum on certain ranges – see output options table)
Supply current	mA	10 maximum (plus transducer current). Additional 9mA with VM card fitted, additional 2.6mA (plus output current) with CM card fitted or additional 3mA with PWM card fitted

Reverse polarity protection Misconnection

Yes
Any terminal can be connected to ground without damage. Any terminal (except transducer primary excitation output) can be connected to positive supply without damage.

Transducer Excitation

Options

Module is designed to operate 4, 5 or 6 wire differential LVDTs, ratiometric LVDTs and 3 wire inductive half bridge transducers (or RVDT equivalents). Can also be configured to work with potentiometers

Primary voltage	Vrms	1 or 3 (link selectable)
Primary frequency	Hz	2.5k, 5k or 10k (link selectable)
Primary impedance	Ω	>50 @ 1Vrms or >150 @ 3Vrms

Signal Input (Transducer sensitivity range)

Voltage range	mVrms	60 to 5000
Primary/secondary phase shift	$^{\circ}$	< ± 45 in differential mode. No restriction in ratiometric mode
Circuit loading on transducer secondary coils	Ω	>70k any connection

Signal Output – UCM only

Output voltage range	Vdc	0.5 to 4.5
Output current - sourcing	mA	<1
Output current - sinking	μA	<20
Output impedance	Ω	<1
Output load	Ω	>5k resistive to 0V line (when CM module is fitted, should be between 20 Ω and 400 Ω for best linearity)
Line regulation		<0.001% span/Volt
Temperature stability	ppm/$^{\circ}C$	<200
Power on settlement time	mS	<100 to within 0.25% of final reading
Non-linearity (circuit only)	%	< ± 0.01 full stroke
Output filter		3 pole low pass
Frequency response	Hz	250 (-3dB)
Output ripple and noise	mVrms	<3
Output adjustment range		
Zero		Electrical null may be set anywhere within the output range
Gain (span)		Coarse adjustment by links, fine adjustment by potentiometer
Gain/Zero interaction		Non interactive if zero adjusted first

Signal Output – option cards

VM card	Vdc	0 to 5 & -5 to 0, 0 to 10 & -10 to 0, ± 2.5 , ± 5 , ± 7.5 , ± 10
CM card	mA	4 to 20
PWM card		TTL level compatible signal with a 10 - 90% duty cycle. User selectable frequencies of 100, 130, 310 and 1000Hz. Logic signals: LOW <0.4Vdc HIGH 4.5 \pm 0.5Vdc
Synchronisation		Up to 50 modules can be synchronised in one network
LVDT/RVDT cable length		25m maximum (best linearity is achieved with lowest acceptable input frequency when using longer cables)

OUTPUT OPTIONS

Output option	Supply voltage range Vdc Single or (Dual) supply	UCM	UCM with VM card	UCM with CM card	UCM with PWM card
0.5 - 4.5Vdc	10 - 30 or ± (10 - 30)	✓	N/A	N/A	N/A
0 - 5Vdc	10 - 30 or ± (10 - 30)	N/A	✓	N/A	N/A
0 - 10Vdc	13.5 - 30 or ± (13.5 - 30)	N/A	✓	N/A	N/A
±2.5Vdc	10 - 30 or ± (10 - 30)	N/A	✓	N/A	N/A
±5Vdc	10 - 30 or ± (10 - 30)	N/A	✓	N/A	N/A
±7.5Vdc	13.5 - 30 or ± (13.5 - 30)	N/A	✓	N/A	N/A
±10Vdc	13.5 - 30 or ± (13.5 - 30)	N/A	✓	N/A	N/A
4 - 20mA	10 - 30 or ± (10 - 30)	N/A	N/A	✓	N/A
PWM	10 - 30	N/A	N/A	N/A	✓
Slope reversal		✓	✓	✓	✓

MECHANICAL

Enclosure

Weight

Mounting

Cable exit

g

Powder coated aluminium alloy

320 maximum

Bulkhead mounting via M5 fixing holes

Via glands – cable diameter must be between 3.0 and 8.0mm diameter to seal to IP68

ENVIRONMENTAL

Operational temperature range

Storage temperature range

Protection class

EMC Immunity level
EN61000-4-2

°C

°C

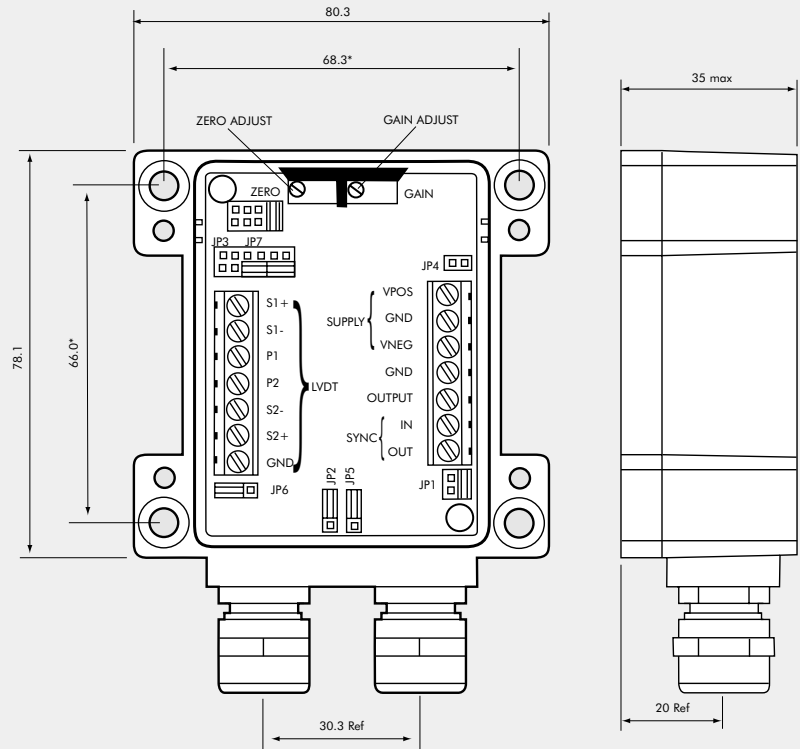
-40 to +85

-40 to +100

IP68 to 2m for 1 hour duration – subject to user cable diameters 3-8mm and securely locked in glands

>100 V/m with 1m maximum distance to sensor

DIMENSIONS

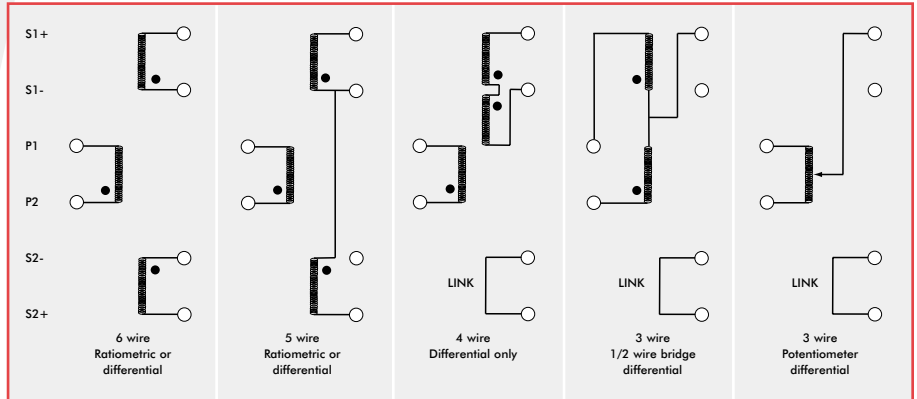
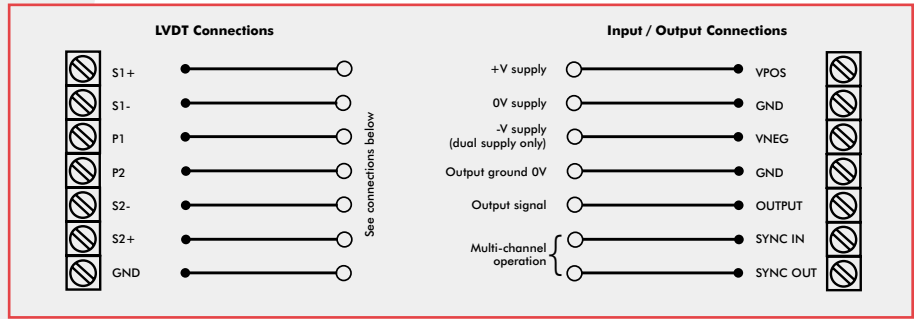


*Bulkhead fixing dimensions
Enclosure provided with four fixing holes to accept M5 screw x 28mm long minimum

Cable glands Cable must be between 3.0 and 8.0mm diameter to maintain IP68 rating of the enclosure. Ensure glands are fully tightened.

ELECTRICAL CONNECTIONS

Screw terminals



● indicates winding start

AVAILABILITY

Normally available from stock

ORDERING CODE

UCM Module with basic 0.5 to 4.5Vdc output, IP68 protected metal housing

ACCESSORIES order separately

VM Voltage Module card to provide an extended range of voltage outputs (see output options table)

CM Current Module card to provide 4-20mA output

PWM Pulse Width Modulation card to provide TTL level signal with 10-90% duty cycle



www.pennyandgiles.com

Penny & Giles

Position sensors and joysticks for commercial and industrial applications.

15 Airfield Road
Christchurch
Dorset BH23 3TG
United Kingdom
+44 (0) 1202 409409
+44 (0) 1202 409475 Fax
sales@pennyandgiles.com

36 Nine Mile Point Industrial Estate
Cwmfelinfach
Gwent NP11 7HZ
United Kingdom
+44 (0) 1495 202000
+44 (0) 1495 202006 Fax
sales@pennyandgiles.com

5875 Obispo Avenue
Long Beach CA 90805
USA
+1 562 531 6500
+1 562 531 4020 Fax
us.sales@pennyandgiles.com

Straussenlettenstr. 7b
85053 Ingolstadt,
Germany
+49 (0) 841 61000
+49 (0) 841 61300 Fax
info@penny-giles.de

The information contained in this brochure on product applications should be used by customers for guidance only. Penny+Giles Controls Ltd makes no warranty or representation in respect of product fitness or suitability for any particular design application, environment, or otherwise, except as may subsequently be agreed in a contract for the sale and purchase of products. Customer's should therefore satisfy themselves of the actual performance requirements and subsequently the products suitability for any particular design application and the environment in which the product is to be used.

Continual research and development may require change to products and specification without prior notification. All trademarks acknowledged.

© Penny+Giles Controls Ltd 2008

Innovation In Motion

**CURTISS
WRIGHT** Controls
Integrated Sensing

www.cwcontrols.com